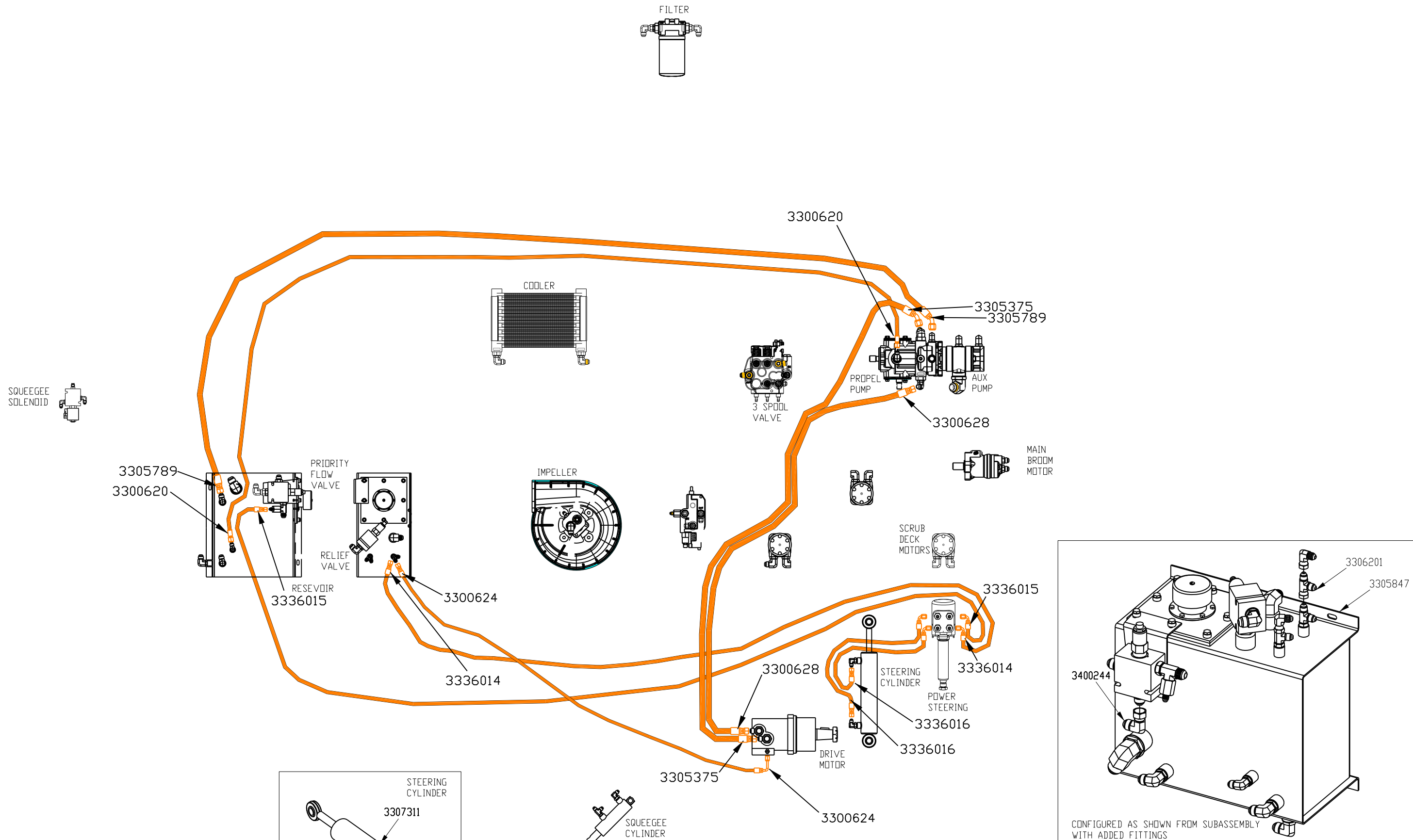
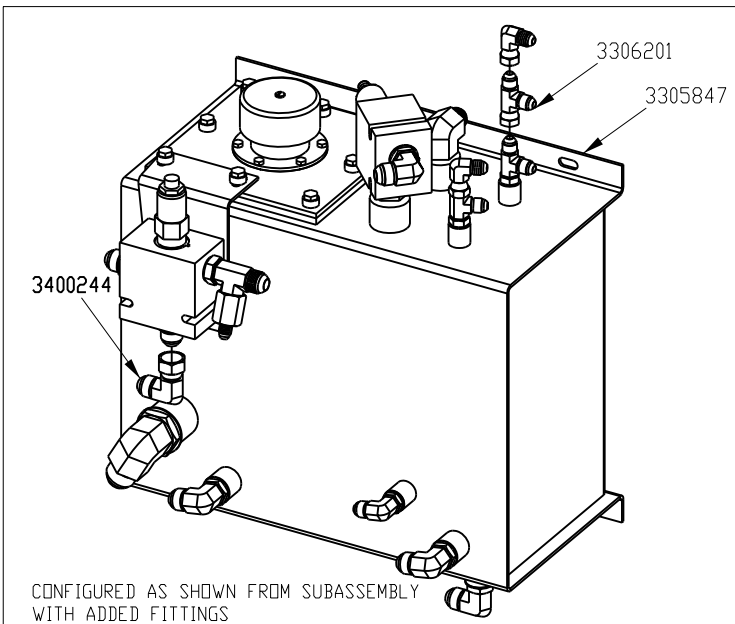


<p>CONFIDENTIAL</p> <p>THIS DRAWING AND ALL INFORMATION CONTAINED HEREIN ARE THE EXCLUSIVE PROPERTY OF MINUTEMAN INTERNATIONAL, INC. THIS DRAWING IS NOT TO BE COPIED OR OTHERWISE REPRODUCED WITHOUT EXPRESSED WRITTEN PERMISSION OF MINUTEMAN INTERNATIONAL, INC. IN ADDITION, THIS DRAWING MUST BE RETURNED UPON REQUEST. FURTHER, ALL INFORMATION CONTAINED HEREIN MUST BE MAINTAINED CONFIDENTIAL.</p>	SOURCE:	<p>175 Anderson Street Aberdeen, NC 28315 PHONE (910) 944-2105 FAX (910) 944-7409</p>
	PN. MATL:	
	FINISH:	DATE: 1/25/12
	UNSPECIFIED TOLERANCES: .X .1 ANGULAR: .XX .03 X .1" .XXX .010 X .5"	BY: CAD JGH DESCRIPTION SCHEMATIC HYDRAULIC C82 LP & GAS
DES. ENG:	PART NO. 3344773	REV * 1 of 6
ENG. REL:		

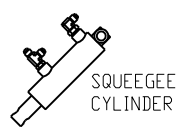
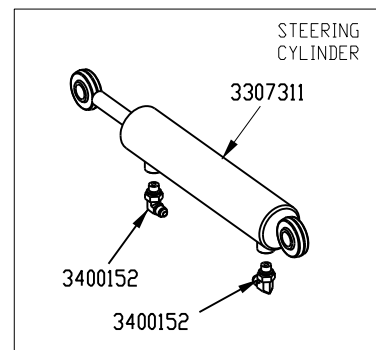
11559	1/25/12	RELEASED FOR PRODUCTION	JGH
REV ECN #	DATE	DESCRIPTION OF CHANGE-IS (WAS)	BY:



DRIVE AND STEERING FUNCTIONS

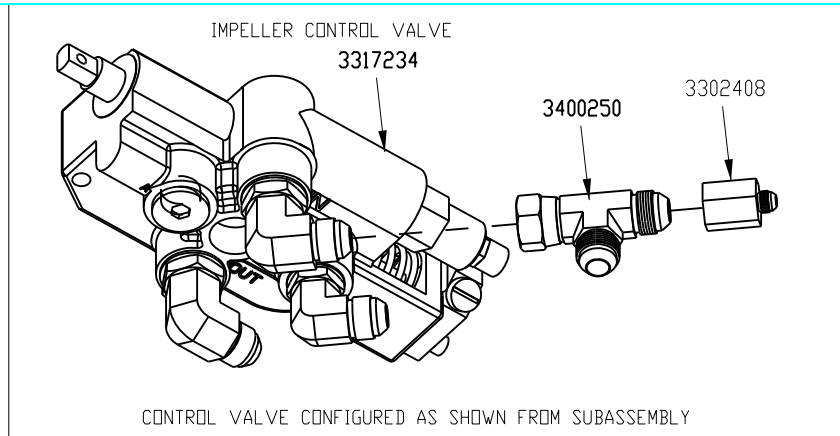


CONFIGURED AS SHOWN FROM SUBASSEMBLY WITH ADDED FITTINGS

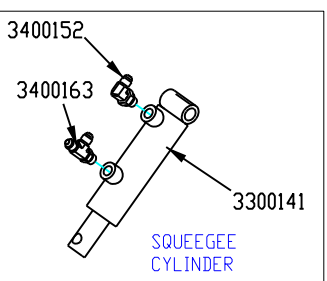
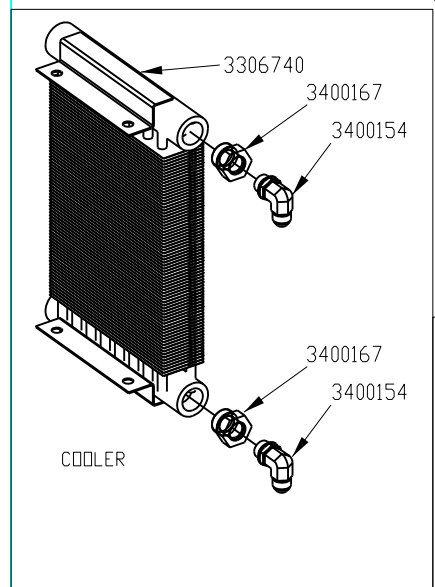
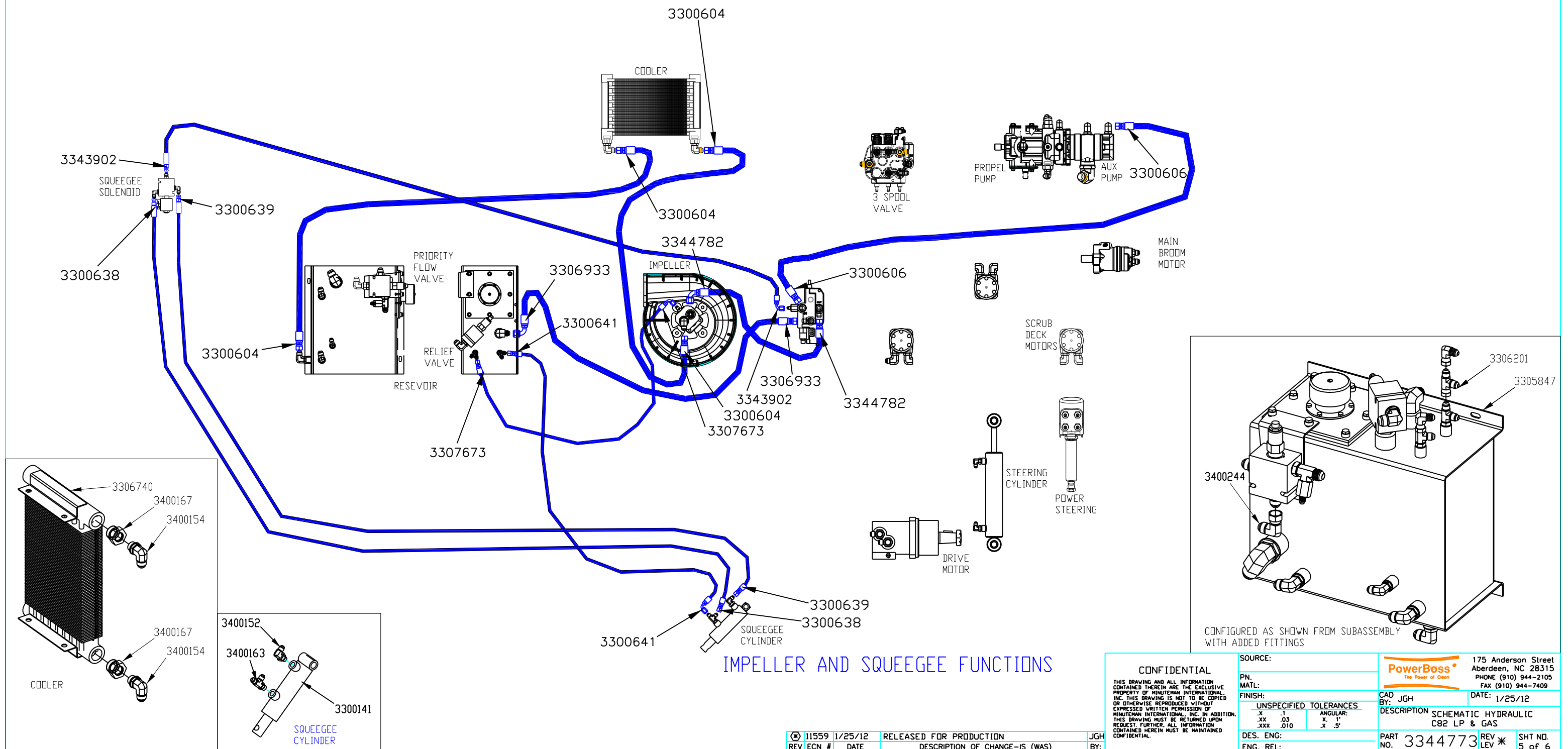


CONFIDENTIAL		SOURCE:		175 Anderson Street Aberdeen, NC 28315	
THIS DRAWING AND ALL INFORMATION CONTAINED THEREIN ARE THE EXCLUSIVE PROPERTY OF MINUTEMAN INTERNATIONAL, INC. THIS DRAWING IS NOT TO BE COPIED OR OTHERWISE REPRODUCED WITHOUT EXPRESSED WRITTEN PERMISSION OF MINUTEMAN INTERNATIONAL, INC. IN ADDITION, THIS DRAWING MUST BE RETURNED UPON REQUEST. FURTHER, ALL INFORMATION CONTAINED HEREIN MUST BE MAINTAINED CONFIDENTIAL.		PN. MATL:		PHONE (910) 944-2105 FAX (910) 944-7409	
FINISH:		UNSPECIFIED TOLERANCES		CAD JGH DATE: 1/25/12	
.X .1		ANGULAR:		DESCRIPTION SCHEMATIC HYDRAULIC	
.XX .03		X 1"		C82 LP & GAS	
.XXX .010		X .5"		PART NO. 3344773	
DES. ENG:		ENG. REL:		REV * SHT NO. 4 of 6	

11559	1/25/12	RELEASED FOR PRODUCTION	JGH
REV ECN #	DATE	DESCRIPTION OF CHANGE-IS (WAS)	BY:

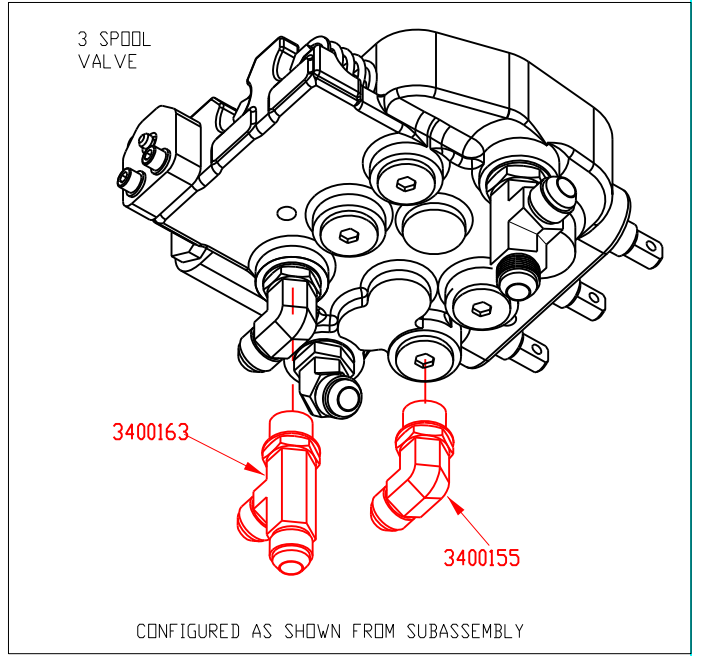
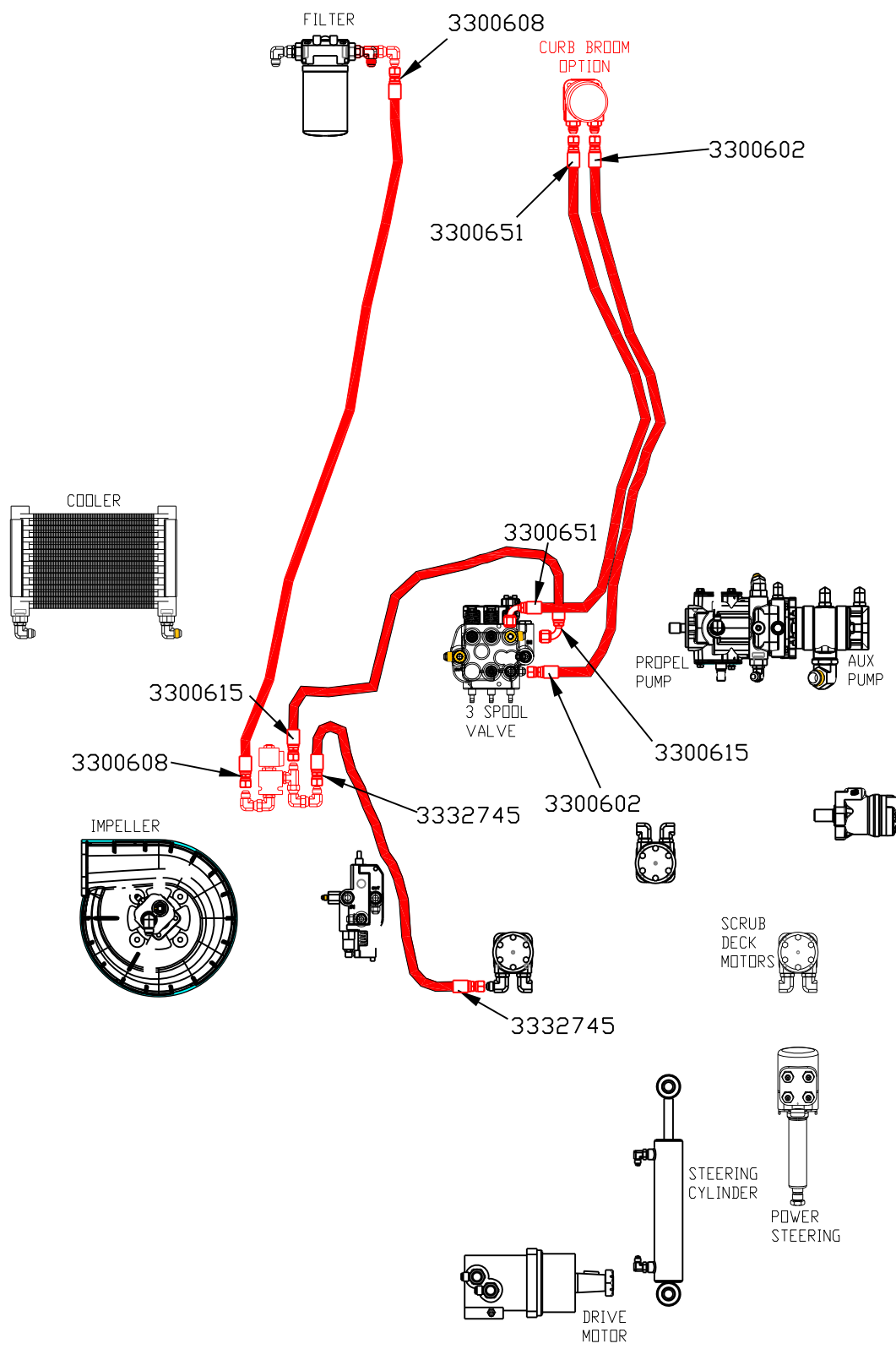
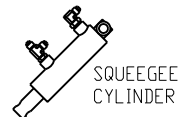
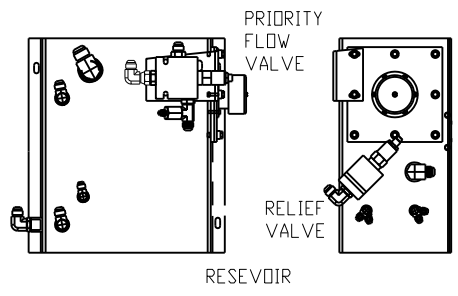
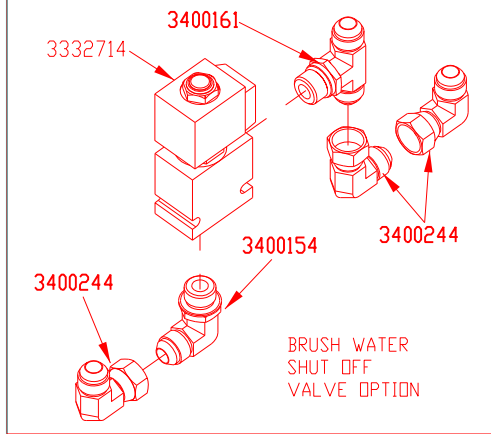
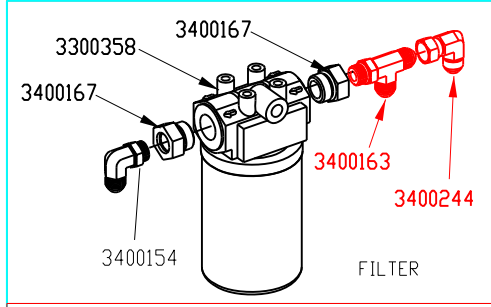


3344773



11559	1/25/12	RELEASED FOR PRODUCTION	JGH
REV	ECN #	DATE	DESCRIPTION OF CHANGE-IS (WAS)
			BY:

CONFIDENTIAL		SOURCE:		175 Anderson Street Aberdeen, NC 28315 PHONE (910) 944-2105 FAX (910) 944-7409	
THIS DRAWING AND ALL INFORMATION CONTAINED HEREIN ARE THE EXCLUSIVE PROPERTY OF MINUTEMAN INTERNATIONAL, INC. THIS DRAWING IS NOT TO BE COPIED OR OTHERWISE REPRODUCED WITHOUT EXPRESSED WRITTEN PERMISSION OF MINUTEMAN INTERNATIONAL, INC. IN ADDITION, THIS DRAWING MUST BE RETURNED UPON REQUEST. FURTHER, ALL INFORMATION CONTAINED HEREIN MUST BE MAINTAINED CONFIDENTIAL.		PN. MATL:		DATE: 1/25/12	
FINISH: UNSPECIFIED TOLERANCES		CAD BY: JGH		DESCRIPTION SCHEMATIC HYDRAULIC C82 LP & GAS	
.X .1		ANGULAR:		PART NO. 3344773	
.XX .03		X .1		REV LEV * 5 of 6	
.XXX .010		X .5		SHT NO. 5 of 6	
DES. ENG:		ENG. REL:		REV * 5 of 6	



OPTIONAL SIDE BROOM AND BRUSH WATER SHUT OFF

CONFIDENTIAL THIS DRAWING AND ALL INFORMATION CONTAINED THEREIN ARE THE EXCLUSIVE PROPERTY OF MINUTEMAN INTERNATIONAL, INC. THIS DRAWING IS NOT TO BE COPIED OR OTHERWISE REPRODUCED WITHOUT EXPRESSED WRITTEN PERMISSION OF MINUTEMAN INTERNATIONAL, INC. IN ADDITION, THIS DRAWING MUST BE RETURNED UPON REQUEST. FURTHER, ALL INFORMATION CONTAINED HEREIN MUST BE MAINTAINED CONFIDENTIAL.		SOURCE:	175 Anderson Street Aberdeen, NC 28315 PHONE (910) 944-2105 FAX (910) 944-7409
PN:	MATL:	BY: JGH	DATE: 1/25/12
FINISH:	UNSPECIFIED TOLERANCES:	DESCRIPTION SCHEMATIC HYDRAULIC C82 LP & GAS	
.X .1	ANGULAR:	PART NO. 3344773	REV * 6 OF 6
.XX .03	X .1"		
.XXX .010	X .5"		
DES. ENG:	ENG. REL:		

11559	1/25/12	RELEASED FOR PRODUCTION	JGH
REV	ECN #	DATE	DESCRIPTION OF CHANGE-IS (WAS)